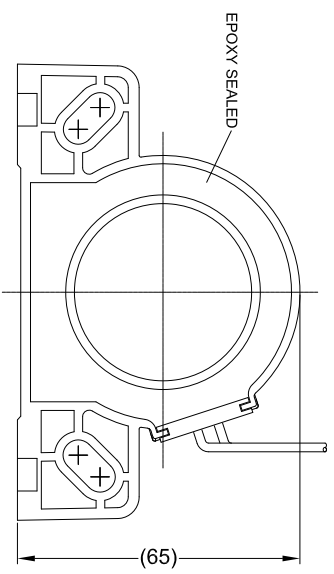
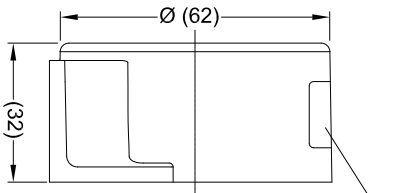
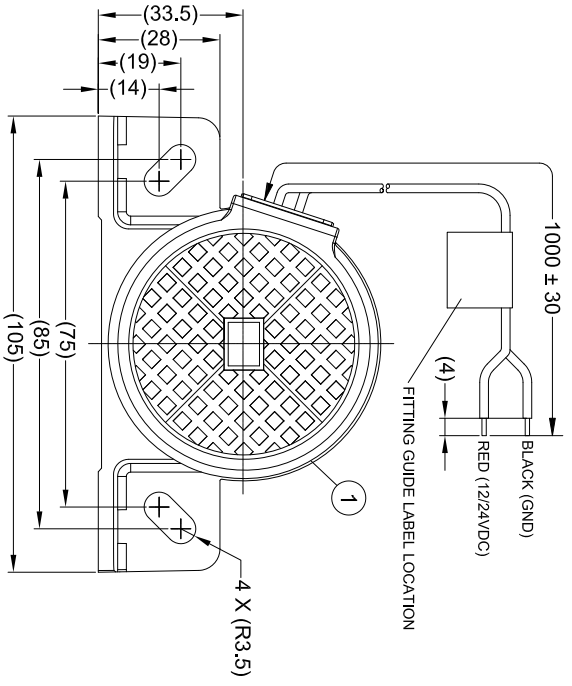


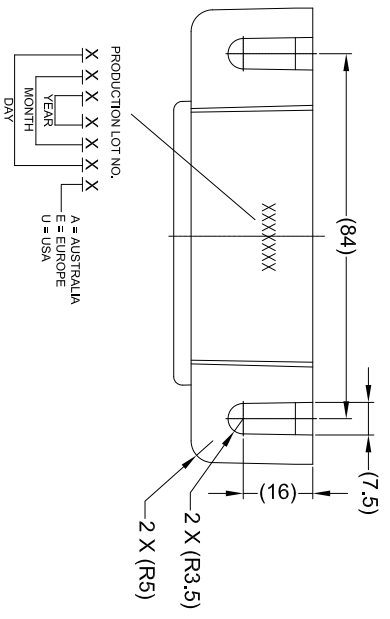
ITEM	STOCK CODE	QTY	DESCRIPTION
1	(# TBD)	1	BBS-97 ALARM ONLY
2	(# TBD)	1	ALARM WARNING STICKER (NOT SHOWN)
3	(# TBD)	1	FITTING INSTRUCTIONS (NOT SHOWN)



SPECIFICATION

RATED VOLTAGE: 12 AND 24 VOLTS DIRECT CURRENT (WORKING VOLTAGE RANGE 9 THRU 32 VOLTS)
 RATED CURRENT: 0.2 AMPERES OR LESS
 SOUND PRESSURE: 97±4 DECIBELS AT TEST VOLTAGE OF 14 AND 28 VOLTS
 INTERMITTENCE: 80±10 CYCLES PER MINUTE AT TEST VOLTAGES 14 AND 28 VOLTS
 TONE: WHITE SOUND(BBS)
 ENVIRONMENTAL TEST: SUBJECT TO SAE J994

- NOTES:**
1. FINISH: MATT BLACK
 2. MATERIAL: ABS PLASTIC
 3. DIMENSIONS ARE FOR REFERENCE ONLY.



PROPRIETARY NOTICE
 THIS DESIGN AND TECHNICAL INFORMATION APPEARING ON THIS DRAWING IS THE PROPERTY OF BRIGADE ELECTRONICS P/LC. AND IS DISCLOSED IN CONFIDENCE. IT IS NOT TO BE COPIED, REPRODUCED, REVISED TO OR APPROPRIATE BY OTHERS, EITHER IN WHOLE OR IN PART WITHOUT THE EXPRESS WRITTEN CONSENT OF BRIGADE ELECTRONICS P/LC.

Item#		Quantity	Title/Name, designation, material, dimension etc	Article No./Reference
Designed by	MJBUJLER	Checked by	JMENVHMAN	Approved by - date
BRIGADE ELECTRONICS		Units	MM	Date 20/10/2010
BBS-97 (#0935A)		Scale	N/A	Edition A
BE-001312-00-10		Sheet	1/1	

ASSEMBLY PLANT REF: BA590-97